

BUTLER

Assembly Instructions
Style Number 2096

SPECIALTY COMPANY
8200 SOUTH CHICAGO AVE., CHICAGO, IL 60617

PACKAGED

(A) 1-Table Top
(C) 1- Shelf

(B) 4- Post
(D) 4- Feet

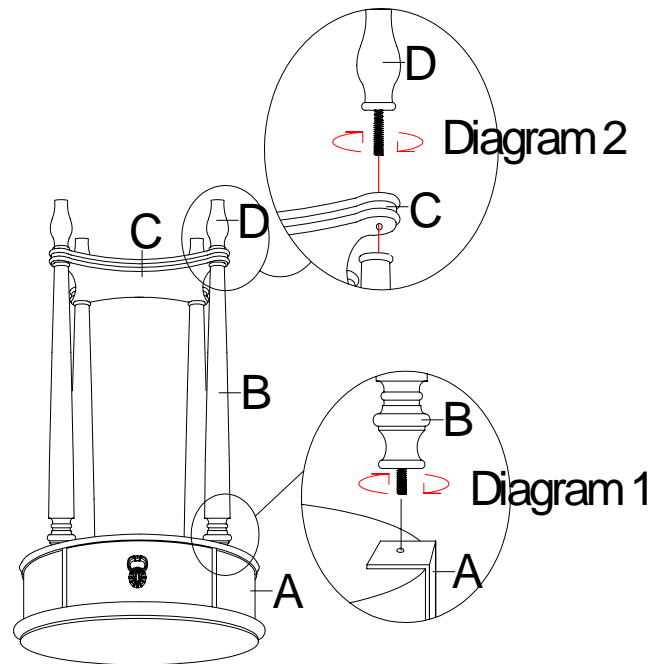
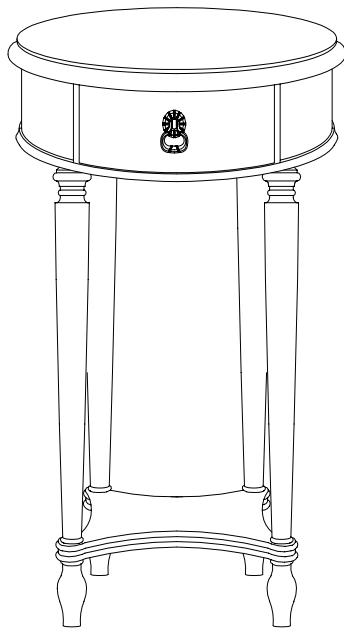
Read all instructions before starting assembly.

Step #1 Check all the components listed in "packaged" are included. Carefully put the top on a flat and protected work surface being careful not to scratch the finish.

Step #2 Install the post (B) on top (A) as diagram 1.

Step #3 Put the shelf (C) on post (B), turn the bolt in feet (D) through shelf (C) and connect with post (B)

Step #4 Turn the table upright.



(*) Caution: DO NOT OVERTIGHTEN.

In any correspondence regarding this product, please include the complete Butler identification number located on the underside of the product.

We hope this painted table will be a useful and decorative addition to your home for years to come.

Copyright © Butler Specialty Company 10/2010